



Relocatable Storage Units

MASS self storage allows owners more flexibility than traditionally constructed building structures. Relocatable storage units are an *attractive* and *cost-effective alternative* to new construction, particularly if you are in need of just a few more storage units. And because they are movable, they can be placed in areas where you would not typically build permanent structures. These multipurpose structures can be placed in a variety of applications, including home use or outbuilding storage for businesses.



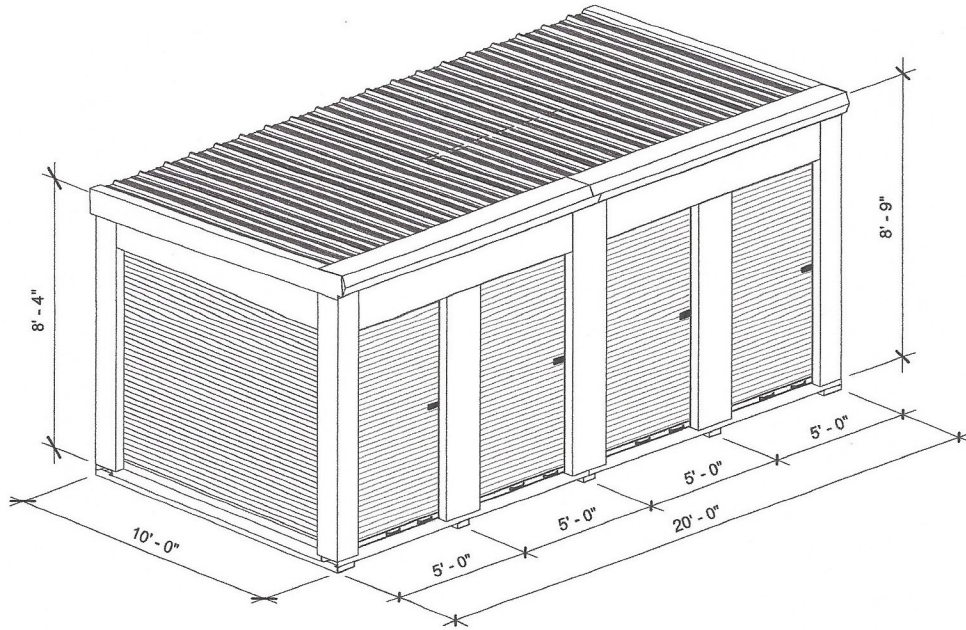
Movable
Additional
Storage
Structures

Benefits:

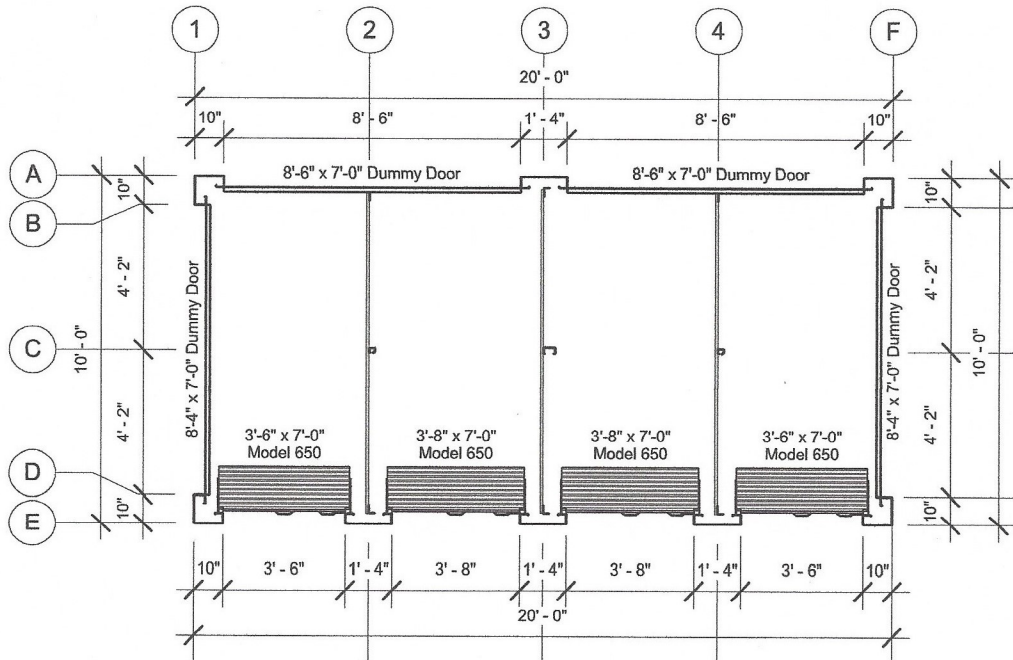
- MASS offers the same look and benefits of traditional storage
- Able to quickly generate additional income
- Easily movable by a 5,000 lb. forklift with extended forks
- Utilizes easy-to-operate roll up doors which require virtually no maintenance
- Secure and convenient for storage renters
- Built with special features to reduce moisture
- Easy to expand to accommodate growth
- Adaptable to odd-sized lots or slightly sloping land/driveways
- Standard building permits may not be required (check local ordinances)
- Economical—increased rental income with minimal investment
- Classified as equipment, MASS units can be depreciated over seven years
- Are often allowed where containers are restricted due to design and aesthetics







1 3D View



2 Floor Plan
3/16" = 1'-0"



135 East Luke Road
Temple, Georgia 30179
(866) 562-2580 Toll-Free
(770) 562-0686
www.janusintl.com

JANUS
INTERNATIONAL

20 x 10 R-4/5 x 10 F
(4 - 5'-0" x 10'-0" Units)

MASS Storage (20 x 10)
(4 - 5'-0" x 10'-0" Units)

Drawn On:
5-20-2014

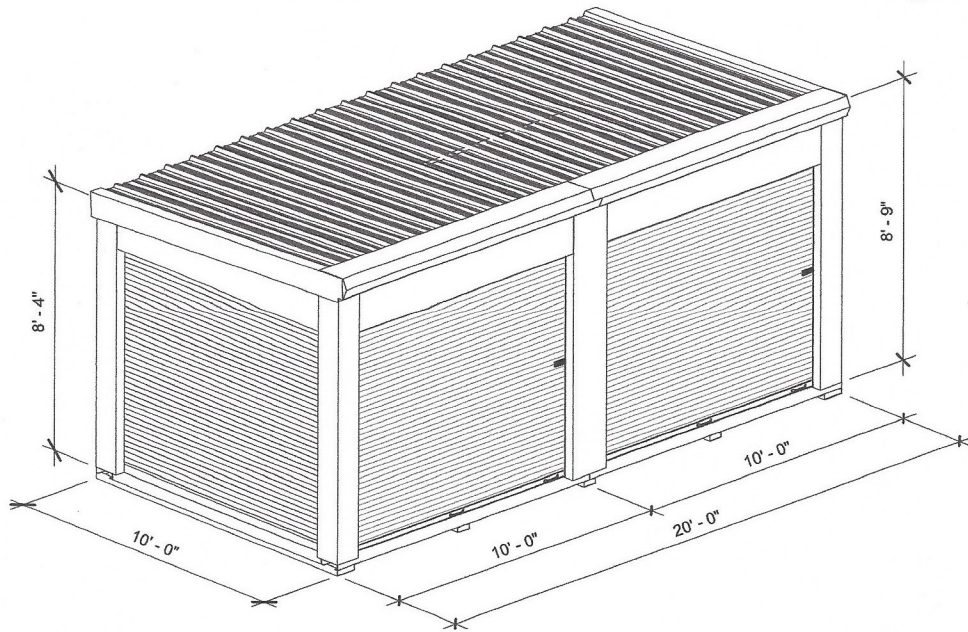
Drawn By B. Johnson
Checked By D. Theut

Building Layout

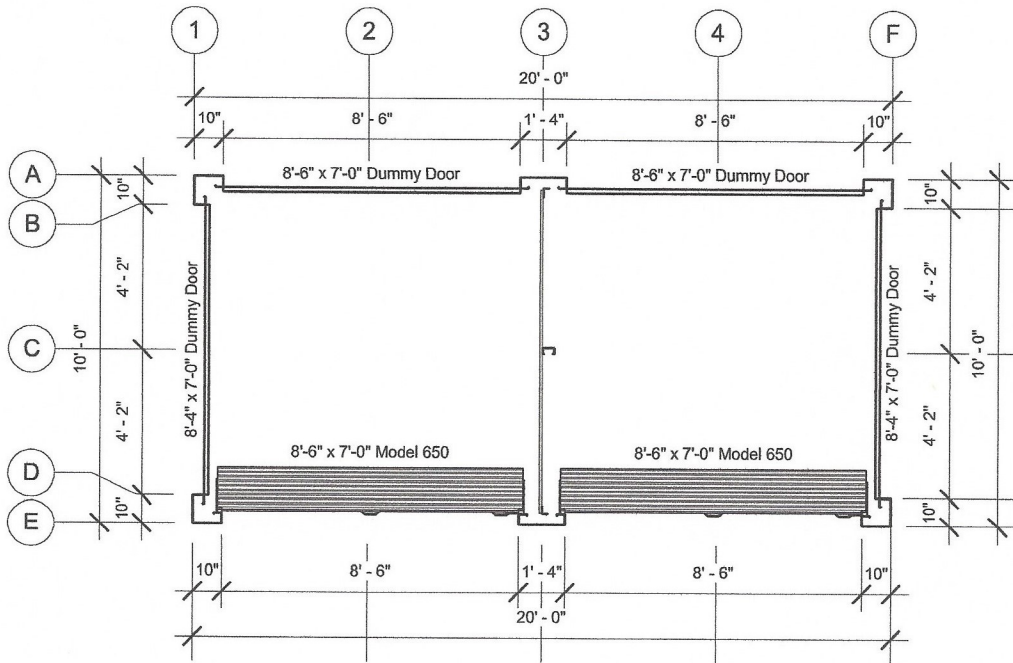
Project #
XXXX

BL - 1

QTY: _____



1 3D View



2 Floor Plan
3/16" = 1'-0"



135 East Luke Road
Temple, Georgia 30179
(866) 562-2580 Toll-Free
(770) 562-0686
www.janusintl.com

20 x 10 R- 2/10 x 10 F
20 x 10 W/(2) 10 x 10 Units Front

MASS Storage

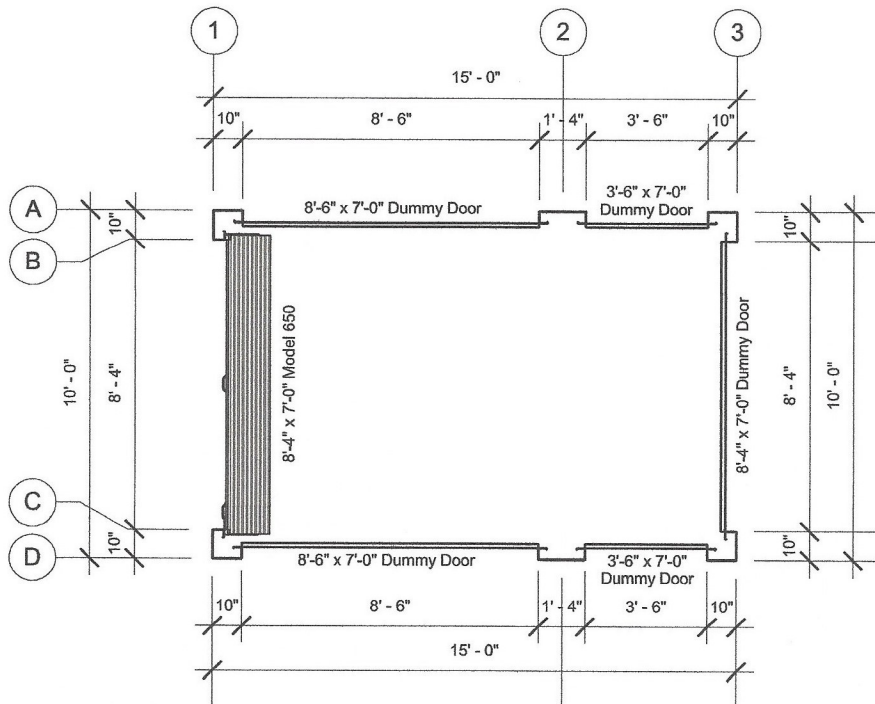
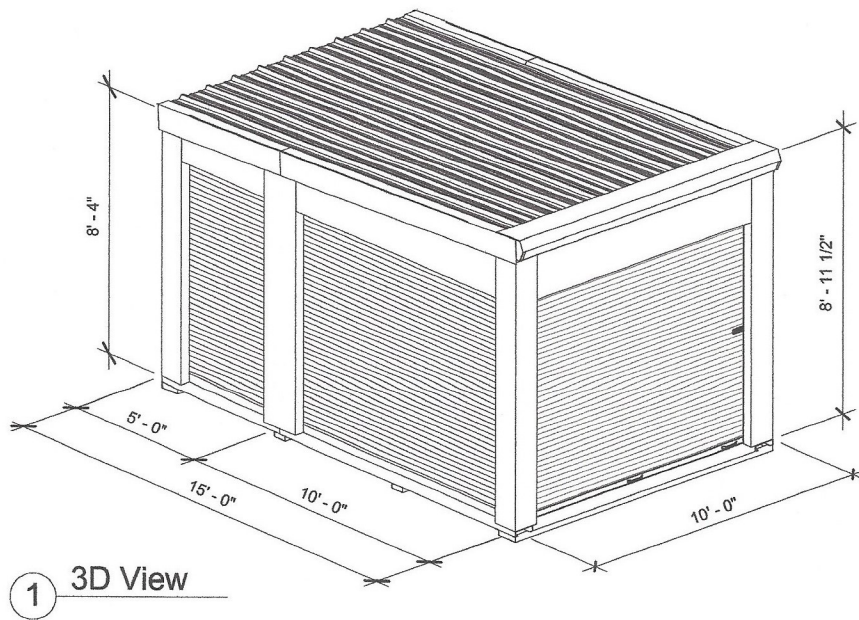
Drawn On:
4-14-2015

Drawn By B. Johnson
Checked By D. Theut

Building Layout

Project #

BL - 1



135 East Luke Road
Temple, Georgia 30179
(866) 562-2580 Toll-Free
(770) 562-0686
www.janusintl.com

10 x 15 R-1/F
10 x 15 Single Unit Front Door

Drawn On:
4-22-2014

Project #
XXXX

Drawn By B. Johnson
Checked By D. Theut

Building Layout

BL - 1